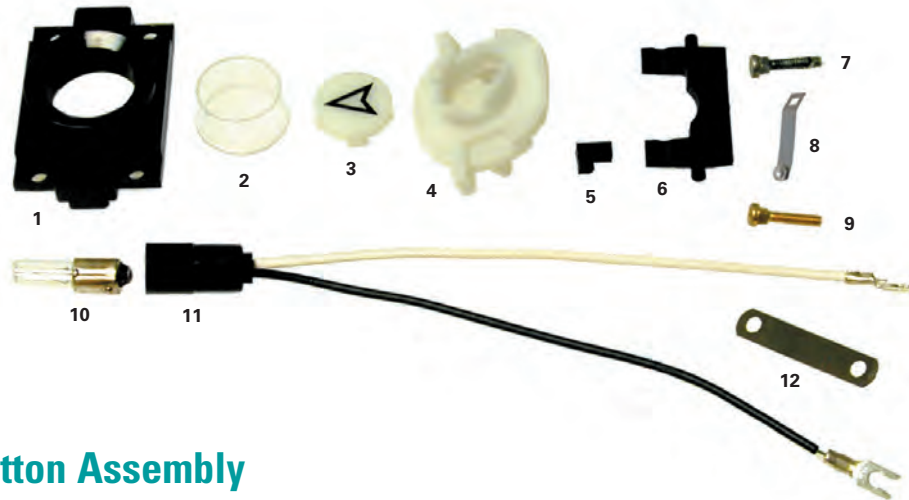


# ARMOR

# QUICK LOCATOR GUIDE

<b>Belts</b> .....	520, 534
<b>Brake Components</b> .....	534
<b>Brushes</b> .....	515
<b>Capacitors</b> .....	522
<b>Car Signal Components</b> .....	512-514
Gongs .....	514
Emergency Stop Switch .....	514
Lamps and Lamp Sockets .....	514
Lock Cylinders and Keys .....	514
Pushbutton Assemblies .....	512-513
Toggle Switches .....	514
<b>Coils</b> .....	516-517
<b>Door Parts and Equipment</b> .....	518-521
Cables .....	520
Clutch Components .....	521
Door Key .....	520
Door Roller Assemblies .....	518-520
Gibs .....	521
Interlock Components .....	518-519
Interlock Jumper .....	520
Operator Components .....	521
Safety Edge Parts .....	519-521
Spirator, Reel Closer .....	520
<b>Machine Seals and Bearings</b> .....	534
<b>Printed Circuit Boards</b> .....	522
<b>Rectifiers</b> .....	523
<b>Relays</b> .....	532-533
<b>Relay Parts</b> .....	524-531
No. 1 Stepping Relay .....	524
No. 1 Relay, No. 1 Contactor .....	525-526
No. 2, 2A Relay .....	527-528
No. 3, 3A Contactor .....	529-530
No. 5A Contactor .....	531
<b>Resistors</b> .....	523
<b>Selector Parts</b> .....	535
<b>Switches</b> .....	533
<b>Transformers</b> .....	536-537
<b>Wheels and Rollers</b> .....	537-538
Door Rollers & Roller Assemblies .....	537
Hanger Assemblies .....	538
Hanger Wheels .....	538

## Car Signal Components



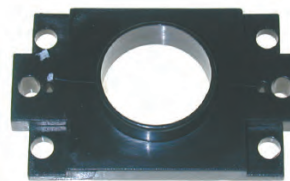
### Pushbutton Assembly

Item	S.E.E.S. #	O.E.M. #	Description
1-12	APB-1-	PB-46	<b>Pushbutton assembly complete.</b> Standard assembly is furnished with black halo APB-6 and white round button marked with arrow APB-1-ARROW. Available sub-assembly components are shown above. Specify marking i.e. APB-1-ARROW
1	APB-4	11146-02	<b>Halo</b> , black with 1" diameter round collar
	APB-5	11143-01	<b>Halo</b> , white with 1-3/8" diameter round collar
	APB-6	11143-02	<b>Halo</b> , black with 1-3/8" diameter round collar (shown above)
	APB-6B	11144-02	<b>Halo</b> , black with 1-3/8" diameter square collar
	APB-6C	11144-01	<b>Halo</b> , white with 1-3/8" diameter square collar, same style as APB-6B
2	APB-3	10431-01	<b>Clear Cap</b> , round, for 7/8" diameter button
3	APB-2	11133-	<b>Button Insert</b> , 7/8" diameter round white button with black character, specify marking, i.e. <b>APB-2-ARROW</b> . Special markings available.
	APB-2/2A-SPACER	11899-01	<b>Spacer</b> , for pushbutton, meets California code requirements
4	APB-7	10419-01	<b>Cam</b> , contact actuator for 7/8" round button
5	APB-4B	12058-01	<b>Retainer</b> , yoke
6	APB-4A	10826-01	<b>Yoke</b> , for pushbutton assembly
7	APB-4C	12060-01	<b>Screw</b> , terminal
8	APB-9	11864-01	<b>Contact</b> , movable with silver pad
9	APB-8	12061-01	<b>Screw</b> , contact
10	ML-6	10947-01	<b>Lamp</b> , 120V, 120MB
11	APB-12	11811-01	<b>Holder</b> , lamp socket
12	APB-12A	10837-01	<b>Shunt strip</b>



APB-1-ALARM  
with  
APB-6B Halo

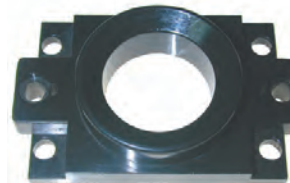
■ Available as special order with alternate halos



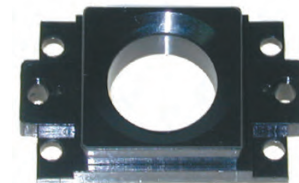
APB-4



APB-5

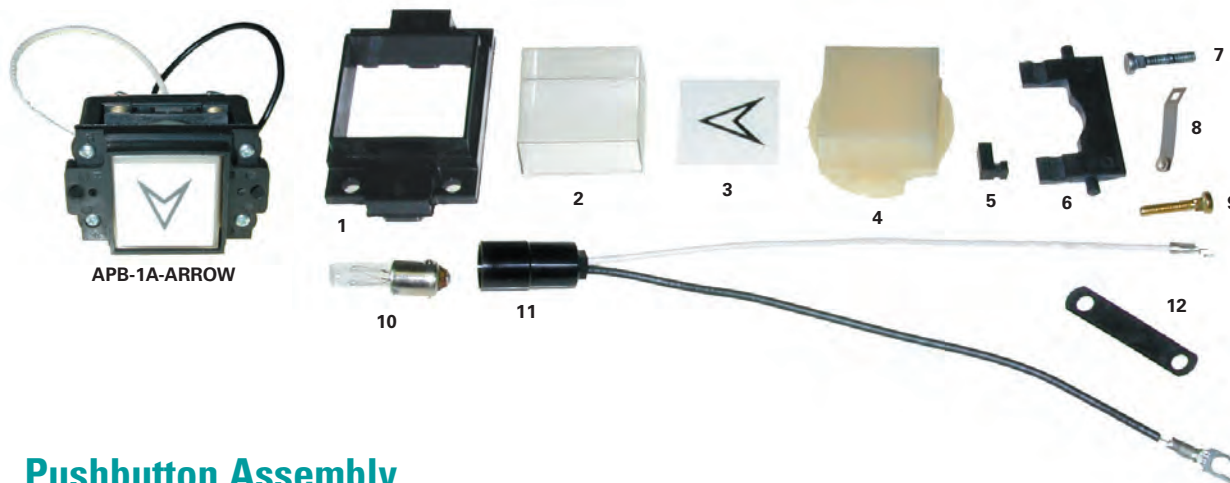


APB-6



APB-6B

## Car Signal Components



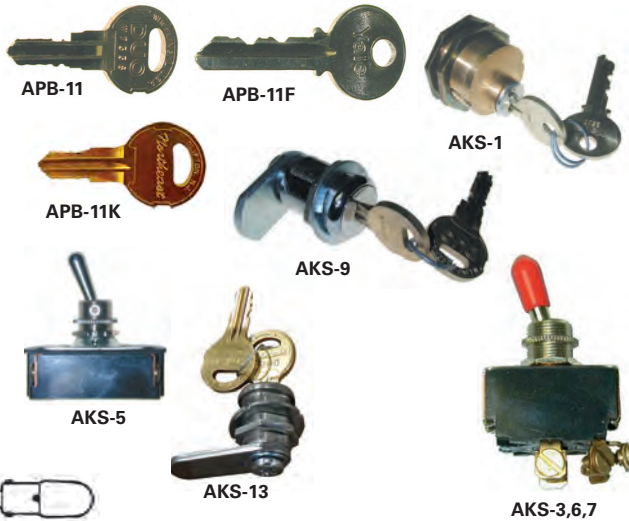
### Pushbutton Assembly

Item	S.E.E.S. #	O.E.M. #	Description
1-12	APB-1A-	PB-46	<b>Pushbutton assembly complete</b> , assembled with components shown using standard black collar APB-5A and square clear cap APB-3A with square button insert marked with arrow APB-1A-ARROW and contact actuator cam for square buttons APB-7A. Specify marking i.e. APB-1A-ARROW
1	APB-5A	11147-02	<b>Collar</b> , 1-3/8" square black, for 1-1/4" square button
1	APB-6A	11147-01	<b>Collar</b> , 1-3/8" square white, for 1-1/4" square button
2	APB-3A	10432-01	<b>Clear Cap</b> , square for 1-1/4" square button
3	APB-2A-	11135-	<b>Button Insert</b> , white, 1-1/8" square, specify marking, i.e. APB-2A-ARROW
4	APB-7A	10416-01	<b>Cam</b> , contact actuator for 1-1/4" square button
5	APB-4B	12058-01	<b>Retainer</b> , yoke
6	APB-4A	10826-01	<b>Yoke</b> , for pushbutton assembly
7	APB-4C	12060-01	<b>Screw</b> , terminal
8	APB-9	11864-01	<b>Contact</b> , movable with silver pad
9	APB-8	12061-01	<b>Screw</b> , contact
10	ML-6	10947-01	<b>Lamp</b> , 120V, 120MB
11	APB-12	11811-01	<b>Holder</b> , lamp socket
12	APB-12A	10837-01	<b>Shunt strip</b>



S.E.E.S. #	O.E.M. #	Description
APB-2/2A-SPACER	11899-01	<b>Spacer</b> for pushbutton, meets California code
APB-13	10839-01	<b>Lens</b> for dial-o-matic

## Car Signal Components



1. T3-1/4 Mini Bayonet
2. S-6 Double Contact Bayonet
3. G 4-1/2 Mini Bayonet
4. S-6 Double Candelabra Screw
5. G-6 Double Contact Bayonet
6. T4-1/2 Candelabra Screw
7. T2-1/2 Mini Bayonet
8. T-8 Candelabra Screw
9. S-8 Single Contact Bayonet

## Lamps

Fig.	S.E.E.S. #	O.E.M. #	Description
1	<b>ML-10</b>	10941-01	44, 6.3V
1	<b>ML-68</b>	10927-01	313, 28V
1	<b>ML-132</b>	12555-01	1810, 6V
1	<b>ML-133</b>	13284-01	1813, 14.4V
1	<b>ML-130</b>	12362-01	1828, 37.5V
1	<b>ML-47</b>	10931-01	1829, 28V
1	<b>ML-92</b>	10932-01	1835, 55V
1	<b>ML-12</b>	10933-01	1893, 14V
1	<b>ML-109</b>	12326-01	238, 6V
2	<b>ML-26</b>	10945-01	6S6DC, 30V
2	<b>ML-66</b>	10938-01	6S6DC, 60V
2	<b>ML-78</b>	10948-01	6S6DC, 25V
2	<b>ML-19</b>	10949-01	6S6DC, 145V
2	<b>ML-20R</b>	10950-01	10S6DC, 250V
3	<b>ML-31</b>	10946-01	503, 5.1V
3	<b>ML-134</b>	13283-01	55, 7V
4	<b>ML-39</b>	13054-01	6S6, 30V
4	<b>ML-17</b>	10939-01	6S6, 155V
4	<b>ML-46</b>	13053-01	10S6, 230
5	<b>ML-135</b>	10942-01	68, 13.5V
5	<b>ML-81</b>	10941-01	90, 13V
6	<b>ML-52</b>	13201-01	T4-1/2, 130V
6	<b>ML-67A</b>	13202-01	T4-1/2, 250V
7	<b>ML-6</b>	10947-01	120MB, 120V
8	<b>ML-90</b>	13283-01	25T8, 120V
9	<b>ML-94</b>	12556-01	88, 6.8V

## Lamp Sockets

S.E.E.S. #	O.E.M. #	Description
<b>APB-12</b>	11822-01	<b>MB base</b> , for pushbutton
<b>APB-14</b>	12347-01	<b>DC bayonet base</b> , for position indicator
<b>APB-15</b>	11817-01	<b>MB base</b> , for position indicator

## Lock Cylinders and Keys

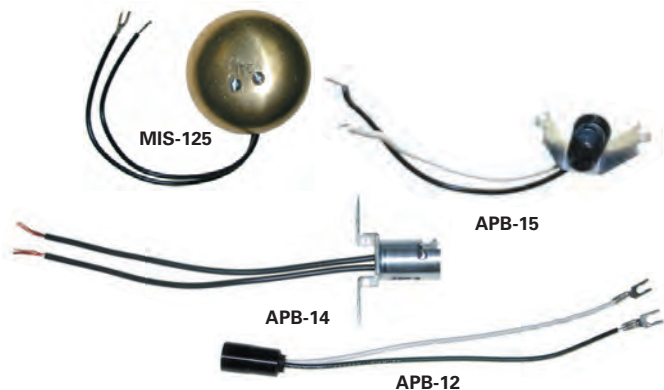
S.E.E.S. #	O.E.M. #	Description
<b>APB-11</b>	10917-01	<b>Key</b> , Duo W7336
<b>APB-11A</b>	10911-01	<b>Key</b> , Duo J200
<b>APB-11B</b>	10913-01	<b>Key</b> , Duo H7005
<b>APB-11C</b>	10914-01	<b>Key</b> , Duo K7048
<b>APB-11D</b>	10915-01	<b>Key</b> , Duo K7049
<b>APB-11E</b>	10916-01	<b>Key</b> , Duo W7320
<b>APB-11F</b>	12273-01	<b>Key</b> , Yale 3500
<b>APB-11G</b>	12274-01	<b>Key</b> , Yale 3501
<b>APB-11H</b>	12275-01	<b>Key</b> , Yale 3502
<b>APB-11J</b>	W7049	<b>Key</b> , Duo W7049
<b>APB-11K</b>	J208	<b>Key</b> , J208
<b>AKS-8</b>	11113-01	<b>Lock Cylinder</b> , Duo key W7320
<b>AKS-9</b>	11115-01	<b>Lock Cylinder</b> , Duo key W7336
<b>AKS-10</b>	11121-01	<b>Lock Cylinder</b> , Duo key W7048
<b>AKS-11</b>	11123-01	<b>Lock Cylinder</b> , Duo key W7049
<b>AKS-12</b>	11112-01	<b>Lock Cylinder</b> , Duo key H7005
<b>AKS-13</b>		<b>Lock Cylinder</b> , Duo, J200 Key
<b>AKS-14</b>		<b>Lock Cylinder</b> , Duo, 2 Position, Remove 2, J200 Key
<b>AKS-15</b>		<b>Key Switch</b> , 2 Pos, Rem 2, Independent Service, J200 Key

## Toggle Switches

S.E.E.S. #	O.E.M. #	Description
<b>AKS-1</b>	B749015-A	<b>Key Switch</b> , cylinder only, 3 position, removable in one position only. Pull, with 3500 key, 1-1/8" diameter.
<b>AKS-3</b>	11838-01	<b>Switch</b> , 3PST, toggle style with red bat for emergency stop switch
<b>AKS-5</b>	11834-01	<b>Switch</b> , toggle style DPST
<b>AKS-6</b>	11835-01	<b>Switch</b> , toggle style DPDT
<b>AKS-7</b>	11836-01	<b>Switch</b> , toggle style DP, 3 position, spring return to center position

## Gongs

S.E.E.S.#	O.E.M. #	Description
<b>MIS-125</b>	10875-01, A32024A, 9001-61	115 VAC
<b>MIS-125A</b>	10876-01, A32024B, 9001-63	40 Watt Series
<b>MIS-125B</b>	10877-01, A32024C, 9001-62	25 Watt Series



## Brushes

S.E.E.S. #	O.E.M. #	Description
ACB-1	10367-02	G.E. MG Set & Hoist motor 3/8" x 1" x 2", grade T563
ACB-1A	10367-01	G.E. MG Set & Hoist motor 3/8" x 1" x 2", grade B253
ACB-1B	10364-01	G.E. MG Set & Hoist motor 3/8" x 1-1/4" x 2", grade T563
ACB-1C	10364-02	G.E. MG Set & Hoist motor 3/8" x 1-1/4" x 2", grade B253
ACB-1D	10373-01	Bull MG Set & Hoist motor 3/8" x 1-1/4" x 2", grade SA45
ACB-1E	10373-02	Bull MG Set & Hoist motor 3/8" x 1-1/4" x 2", grade B253
ACB-2	13155-02	G.E. MG Set & Hoist motor 1/2" x 1" x 2", grade B253
ACB-2A	13126-01	G.E. MG Set & Hoist motor 1/2" x 1" x 2", grade SA45
ACB-2B	13155-01	G.E. MG Set & Hoist motor 1/2" x 1" x 2", grade T563
ACB-3	10371-01	Bull MG Set & Hoist motor 1/2" x 1-1/4" x 1-5/8", grade SA45
ACB-4	10372-01	Bull MG Set & Hoist motor 5/16" x 1" x 1-13/16", grade SA45
ACB-5	10374-01	Bull MG Set & Hoist motor 1/2" x 1-1/4" x 2", grade SA45
ACB-6	12531-01	G.E. MG Set & Hoist motor 5/8" x 1-1/4" x 2-1/8", grade B253/561
ACB-7	13417-01	G.E. MG Set & Hoist motor 1/2" x 1-1/4" x 2-1/2", grade SA45
ACB-8	12568-01	G.E. MG Set & Hoist motor 3/8" x 1" x 1-3/16", grade B253
ACB-8A	12568-02	G.E. MG Set & Hoist motor 3/8" x 1" x 1-3/16", grade T563
ACB-9	12554-01	G.E. MG Set & Hoist motor 5/8" x 1-1/2" x 2-1/2", grade B253
ACB-10	13203-01	G.E. MG Set & Hoist motor 5/8" x 1-1/4" x 2-1/8", grade B253
ACB-10A	13203-02	G.E. MG Set & Hoist motor 5/8" x 1-1/4" x 2-1/8", grade T563
ACB-11	12567-02	G.E. MG Set & Hoist motor 3/8" x 3/4" x 1-1/4", grade T563
ACB-11A	12567-02	G.E. MG Set & Hoist motor 3/8" x 3/4" x 1-1/4", grade B253
ACB-12	12358-01	5/16" x 1-1/4" x 2"



ACB-1



ACB-1D



ACB-1E



ACB-3



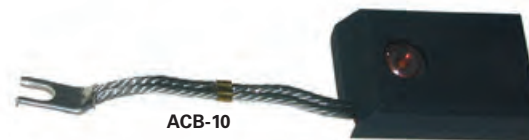
ACB-6



ACB-7



ACB-8

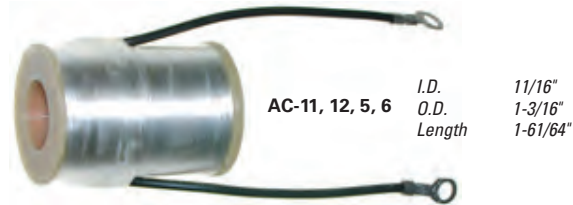


ACB-10



ACB-12

## Coils



### DC Coils for #1 Relay Stepper and Contactor

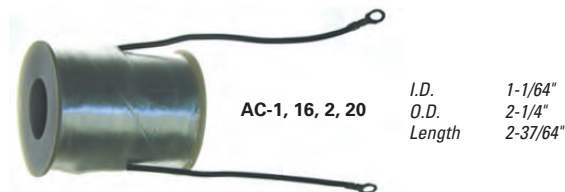
S.E.E.S. #	O.E.M. #					Description
AC-3	10473-01,	140-6006-05,	LA124,	AR7240,	0158-0005	240 Volts, 7,240 Ohms
AC-4	10474-01,	140-6006-04,	LA226,	AR4840,	0158-0006	270 Volts, 4,840 Ohms
AC-7	10477-01,	140-6006-03,	LA-462,	AR324,	0158-0010	80 Volts, 231 Ohms
AC-8	10478-01,	140-6006-01,	LA411,	AR-14,	0158-0011	7 Volts, 14 Ohms
AC-19	10613-01,	140-6006-02,		AR-100,		26 Volts, 100 Ohms

S.E.E.S. #	O.E.M. #					Description
AC-5	10475-01,	140-6006-08,	LA219,	AR450,	0158-0007	60 Volts, 450 Ohms
AC-6	10476-01,	140-6006-09,	LA100,	AR2000,	0158-0008	110 Volts, 2,000 Ohms
AC-11	10612-01,	140-6006-06,	LA1409,	AR1200,	0158-0040	110 Volts, 1,150 Ohms
AC-12	10501-01,	140-6006-07,		AR683,	0158-0041	110 Volts, 835 Ohms



### DC Coils for #2 Relay

S.E.E.S. #	O.E.M. #					Description
AC-10	10480-01,	140-6003-03,	LA1331,	0158-0013,		140 Volts, 3,340 Ohms
AC-14	12076-01,	140-6003-01,	LA1401,	0158-0025,		110 Volts, 1,725 Ohms
AC-15	12076-02,	140-6003-02,	LA1402,	0158-0026,		55 Volts, 430 Ohms



### DC Coils for #3A, 5A Relays Contactor and Series Field Switch

S.E.E.S. #	O.E.M. #					Description
AC-1	10470-01,	140-6011-01,	LA201,	MC1000,	0158-0002	270 Volts, 1,000 Ohms
AC-2	10471-01,	140-600-03,	CLN2,		0158-0003	80 Volts, 218 Ohms
AC-16	10472-01,	140-6011-02,	LA127,	MC2500,	0158-0004	240 Volts, 2,500 Ohms
AC-20	13036-01,	140-6011-04,	140-0585-01,			110 Volts, 460 Ohms

## Coils

### Coils for #2 and #3 Machine, 11" and 13" Brake

S.E.E.S. #	O.E.M. #	Description
AC-21	10506-01, 140-0018-01, 139-0005-01, 0158-0055	270 Volts, 680 Ohms 2-5/32" I.D., 4-3/4" O.D., 6-5/8" L
AC-22	0508-01, 140-0018-02, 0158-0058	120 Volts, 170 Ohms 2-5/32" I.D., 4-3/4" O.D., 6-5/8" L

### Coils for #4 Machine, 14" Brake

S.E.E.S. #	O.E.M. #	Description
AC-23	10483-01, 140-0019-01, LA387, 0156-0016, 10507-01, 140-0019-03, 0158-0057	240 Volts, 375 Ohm 2-1/2" O.D., 5-1/4" I.D., 7-1/2" L

### Coils for #5 and #7 Machine, 18" Brake

S.E.E.S. #	O.E.M. #	Description
AC-26	13117-01, 140-0020-03, 0158-0061	120 Volts, 52 Ohms 3-9/16" O.D., 6-1/8" I.D., 9-1/4" L

S.E.E.S. #	O.E.M. #	Description
AC-9	10479-01, LA890 140-6002-01	Coil for Dial-O-Matic Position Indicator 30/55 VDC, 371 ohms 13/64" x 21/64" I.D., 3/4" x 7/8" O.D., 7/8" L
AC-17	12077-01, 140-6021-01	DC Coil for #2A Relay, 110 VDC, 1500 Ohms, 1-3/4" O.D., 39/64" I.D., 31/32" L
AC-17A	10576-01-140-6001-03	DC Coil for #2A Relay, 140 VDC, 1-3/4" O.D., 39/64" I.D., 31/32" L
AC-18	12077-02, 140-6021-02	DC Coil for #2A Relay, 55 VDC, 375 Ohms, 1-3/4" O.D., 39/64" I.D., 31/32" L
AC-29	10574-01, 140-6001-01	Coil for Reverse Phase Relay, 208/220 VAC, 1-1/2" O.D., 5/8" I.D., 1" L
AC-30	10576-01-140-6001-03	Coil for Reverse Phase Relay, 80/85 VAC, 1-1/8" O.D., 5/8" I.D., 1" L
AC-28	10604-01	Coil for Stahl Contactors 6573/2 & 6574/2, 110 VDC, 5/8" I.D., 1-3/4" O.D., 2-5/8" L
AC-31	10504-01, 0158-0046 140-6013-6	DC Solenoid Coil for Design Unit Valve, 270 VDC, 11/16" I.D., 1-7/8" O.D., 2-3/8" L
AC-32	10503-01, 0158-0048 140-6013-6	DC Solenoid Coil for Design Unit Valve, 110 VDC, 11/16" I.D., 1-7/8" O.D., 2-3/8" L



AC-21



AC-26



AC-9



AC-29



AC-31

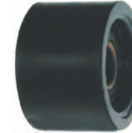
## Door Parts and Equipment



ADO-7



ADO-7A



ADO-7B



ADO-7C



ADO-7D



ADO-7E



ADO-12



ADO-12A



ADO-12B



ADO-12C



ADO-4



ADO-4A



ADO-16



ADO-19



ADO-20



ADO-22



ADO-23



ADO-21



ADO-29

S.E.E.S. #	O.E.M. #	Description
ADO-7	11921-01, A466022	<b>Roller Assembly</b> , 1-1/4" O.D. with 2-3/4" long shaft, for lever
ADO-7A	11921-02, A466022	<b>Roller Assembly</b> , 1-1/4" O.D. with 4" long shaft, for lever
ADO-7B	11912-01, B466005	<b>Roller</b> , 1-1/4" O.D., used on ADO-7 & ADO-7A
ADO-7C	12161-01, A466026	<b>Roller Assembly</b> , 1-1/4" O.D. with 1-7/8" L threaded shaft, for gate switch
ADO-7D	12161-02, A466026	<b>Roller Assembly</b> , 1-1/4" O.D. with 3-1/32" L threaded shaft, for gate switch
ADO-7E	12005-01	<b>E-Clip</b> for 3/8" shaft diameter
ADO-12	11971-01, A776005	<b>Eccentric Upthrust Roller</b> , steel 1-1/6" O.D. for #4 hatch door hanger
ADO-12A	11972-01, A776010	<b>Eccentric Upthrust Roller</b> , steel 1-1/2" O.D.
ADO-12B	13240-01	<b>Eccentric Upthrust Roller</b> , steel 15/16" diameter
ADO-12C	12576-01	<b>Eccentric Upthrust Roller</b> , steel 1-3/4" diameter (concave)

## Armor #1 Interlock Replacement Parts

S.E.E.S. #	O.E.M. #	Description
ADO-4	11905-01, B326005	<b>Hook Assembly</b> with replaceable contact nose
ADO-4A		<b>Contact Nose</b> , "exclusively" for S.E.E.S. ADO-4 Hook
ADO-4B		<b>Door Latch Kick Off Spring</b>

S.E.E.S. #	O.E.M. #	Description
ADO-15	12680-01, A749007	<b>Switch Base Assembly</b> L.H.
ADO-16	12679-01, A749019	<b>Switch Base Assembly</b> R.H.
ADO-17	10210-01, B021025	<b>Base</b> only, R.H.
ADO-18	11995-01, B021026	<b>Base</b> only, L.H.
ADO-19	11181-01, A164045	<b>Contact</b> , stationary
ADO-20	11150-01, A164004	<b>Contact</b> , movable
ADO-21	11997-01, A521002	<b>Shunt</b> , metal
ADO-22	11996-01, A509042	<b>Spring</b>
ADO-23	12102-01, A520006	<b>Seat</b>
ADO-29	10297-01, B042055	<b>Bracket</b> , R.H. for #1 Interlock
ADO-30	10298-0, B042056	<b>Bracket</b> , L.H. for #1 Interlock



## Door Parts and Equipment



### #1 Interlock Parts

S.E.E.S. #	O.E.M. #	Description
ADO-26	11965-01, B787003	Lever Assembly, R.H.
ADO-26A	11966-01, B787004	Lever Assembly, L.H.

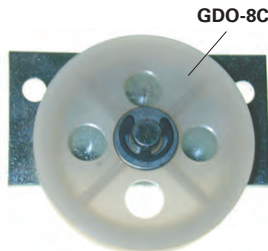
S.E.E.S. #	O.E.M. #	Description
ADO-2	10088-01, A080012	Arm and Roller, pick up lever, R.H.
ADO-3	10091-01, A080015	Arm and Roller, pick up lever, L.H.
ADO-6	11909-01, A343018	Link for #1 Interlock
ADO-26B	11907-01, B339023	Lever
ADO-26C		Bushing Set, .750 O.D., .377 I.D.
ADO-26C-1		Bushing Set, .625 O.D., .260 I.D.
ADO-26D	10221-01, B021058	Base only
ADO-34	11908-01, A343009	Link Assembly
ADO-35	10284-01, C030013	Bellcrank Assembly, upper
ADO-36	10285-01, C030014	Bellcrank Assembly, lower
ADO-37	10342-01, B144002	Cam, R.H., 9-1/4" long, 7/8" wide, (Inside: .725") for single speed doors
ADO-38	10343-01, B144003	Cam, L.H., 9-1/4" long, 7/8" wide (Inside: .725") for single speed doors
ADO-39	10346-01, B144014	Cam, R.H., 2" wide (Inside: 1.86") for two speed doors
ADO-40	10347-01, B144015	Cam, L.H., 2" wide (Inside: 1.86") for two speed doors
ADO-42	11977-01	Switch assembly for #6 safety edge
MIS-157	10333-01, V045008	Bumper, door jamb, 1" diameter with threaded 1/2" diameter shaft



## Door Parts and Equipment



ADO-43



ADO-27A



ADO-25



AW-12



ADO-33



ADO-31



ADO-24

## #6 Safety Edge Parts

S.E.E.S. #	O.E.M. #	Description
ADO-43	13445-01, A742048	<b>Deflector assembly</b> for safety edge cable
ADO-43A	12159-01, V466024	<b>Sheave</b> , 1-5/8" for ADO-43 deflector assembly
AW-12	11928-01	<b>Roller</b> , 2-7/16" O.D., bearing .3937" I.D. nylon roller for relating cable
ADO-27A	13631-01, A776011	<b>Sheave assembly</b> for relating cable, wheel 2-3/4", base 3-3/8" x 1-3/4"

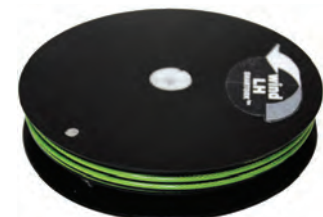
## Cables

S.E.E.S. #	O.E.M. #	Description
ADO-33	12501-01, A343025	<b>Relating Cable Kit</b> , 8' long for two speed doors
ADO-33A	12501-02, A343025	<b>Relating Cable Kit</b> , 17' long for center opening doors
ADO-41	10341-02	<b>Cable with hitch</b> , 8' cable length

S.E.E.S. #	O.E.M. #	Description
ADO-24	10922-01, B327015	<b>Emergency door key</b>
ADO-25	13351-01	<b>Belt</b> , Door operator, 39"
ADO-31	11938-01	<b>Interlock Jumper</b>
MIS-124	10642-01, ML1703, V783001	<b>Spirator</b> , door closer reel
MIS-124-ST		<b>Spirator</b> , 6" SmarTork door closer up to 20% more tension
MIS-124-ST-BK		<b>Bracket</b> , for Smar-Tork Door Closer
MIS-124E		<b>Spirator</b> , 5" O.D., Heavy Duty reel closer with combo hub
MIS-160		<b>Bracket</b> , with square shank for MIS-124 Spirator



MIS-124



MIS-124-ST

# Door Parts and Equipment



ADO-8



ADO-1A



ADO-11A



ADO-9



ADO-10



ADO-11

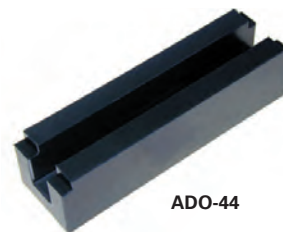
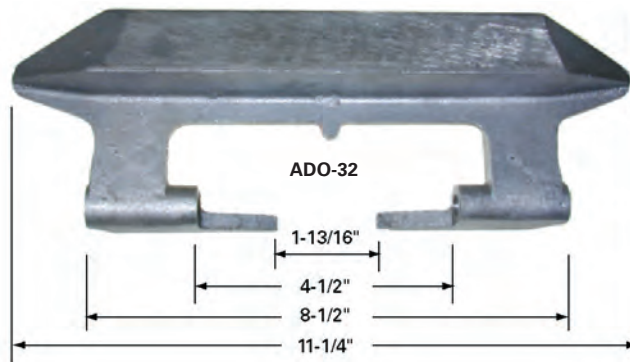
S.E.E.S. #	O.E.M. #	Description
ADO-1A	10349-01, B144001	Cam for #3 and #4 Door Operator
ADO-8	11177-01, A164035	Contact, movable
ADO-9	12610-01, A509018	Spring
ADO-10	11178-01	Contact, stationary normally open, stud
ADO-11	11176-01	Contact, stationary normally closed, flat
ADO-11A	11856-01, B144018	Switch Assembly for #3 and #4 Door Operator
ADO-28	10101-01	Arm and Roller Assembly with link for door clutch
ADO-32	10350-01, B0149-0011A, C149001/C149011	Catch for #1 Clutch
ADO-32A		Catch, for #1 clutch
ADO-44	10691-01, B254006	Gib, insert, 6" for 15 lb. rail
ADO-44A		Guide Shoe Insert, 6" L for 3/8" Rail



ADO-28



ADO-32A



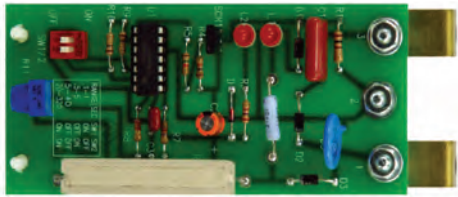
ADO-44



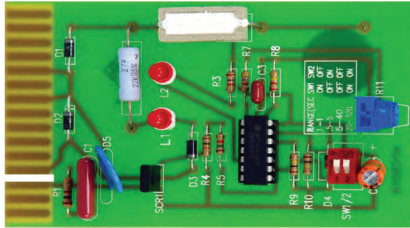
ADO-44A

## Printed Circuit Boards and Timers

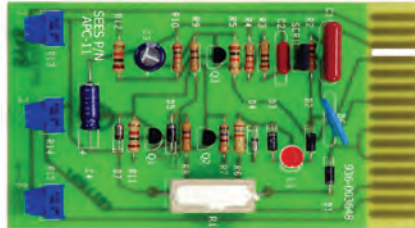
ARMOR



APC-1



APC-8



APC-11



APC-15



APC-18



ACAP-1A

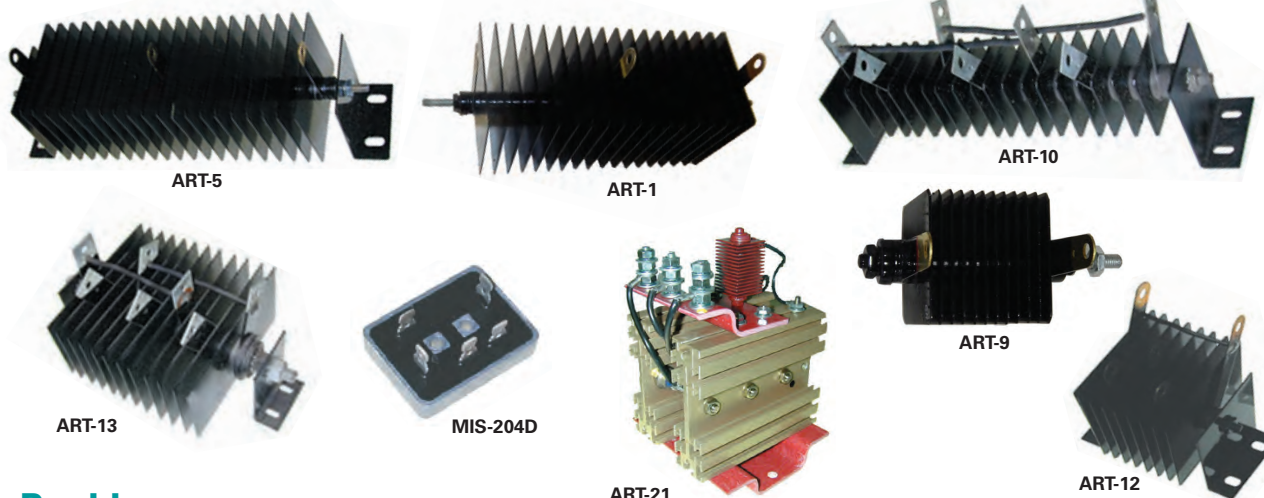
S.E.E.S. #	O.E.M. #	Description
APC-1	12581-01, C058-8261-01, ML42318-2S-250V, 12582-01, C058-8261-02, ML42318-6S-250V	<b>Timer module</b> , .1-5 second range, stud mount timer, 250 VDC
APC-4	12589-01, C058-8261-04, ML42318-2S-110V 12590-01, C058-8261-05, ML42318-6S-110V	<b>Timer module</b> , .5-5 second range, stud mount timer, 110 VDC
APC-8	12583-01, ML42343-2A, C058-8262-01 12584-01, C058-8262-02, 12585-01, ML42343-15A, C058-8262-03, ML42343-60A, 12586-01, C058-8262-04, ML42343-180A	<b>Timer module</b> , .1-180 sec., 110 VDC one potentiometer, plug in style
APC-8A		<b>PCB Socket</b> , 15 Pin with solder eyelets, APC-8,11,12, APV-15,1
APC-11	12587-01, C058-8263-01, ML42338-15A, ML42361-15A	<b>Timer module</b> , 1-10 second timing range, 110 VDC three potentiometer, plug in style. NOTE: Replaces two potentiometer timer
APC-12	12588-01, C058-8263-02, ML42338-60A, ML42361-60A	<b>Timer module</b> , 5-50 second timing range, 110 VDC three potentiometer plug in style. NOTE: Replaces two potentiometer timer.

S.E.E.S. #	O.E.M. #	Description
APC-15	10326-01, C058-8369-01 ML34779G1	<b>Zone Call Counter</b> printed circuit board
APC-18	14240-01	<b>P.C. Board</b> , power touch button 24V

## Capacitors

S.E.E.S. #	O.E.M. #	Description
ACAP-1A	11047-01	50 MFD 150 VDC
ACAP-2	11025-01	100 MFD 150 VDC
ACAP-3	11026-01	300 MFD 150 VDC
ACAP-4	11027-01	900 MFD 150 VDC
ACAP-5	11053-01	40 MFD 350-450 VDC
ACAP-6	11028-01	95 MFD 350 VDC
ACAP-1	11032-01	225 MFD 350 VDC
ACAP-7	11033-01	275 MFD 350 VDC
ACAP-8	11034-01	650 MFD 350 VDC
ACAP-9	11035-01	1K MFD 350 VDC
ACAP-10	11040-01	10 MFD 450 VDC
ACAP-11	11041-01	20 MFD 450 VDC
ACAP-12	11043-01	225 MFD 450 VDC
ACAP-13	11831-01	.1 MFD 600 VDC

## Rectifiers



## Doubler

S.E.E.S. #	O.E.M. #	Description	Max In	Max Out
ART-11	11279-01, C133S10D1H11G	20 plates 4 x 5	260 VAC	290 VDC, 2.6 Amp
ART-5	11282-01, C44S10D1H11G	20 plates 2.6 x 2.6	260 VAC	290 VDC, 10.0 Amp
ART-14	C25S10DD1H11G	20 plates 2 x 2	260 VAC	290 VDC, 6.0 Amp
ART-6	11281-01, C16S10D1H11G	20 plates 1.6 x 1.6	260 VAC	290 VDC, 3.5 Amp
ART-3	C6S10D1H12G	20 plates 1 x 1	260 VAC	290 VDC, 1.2 Amp
ART-1	11298-01, C44S9D1S12G	18 plates 2.6 x 2.6	230 VAC	265 VDC, 10.0 Amp
ART-2	C16S9D1S12G	18 plates 1.6 x 1.6	234 VAC	265 VDC, 3.5 Amp
ART-7	11296-01, C6S9D1S12G	18 plates 1 x 1	234 VAC	265 VDC, 1.2 Amp
ART-4	11285-01, C44S4BA1H11G	3 PHASE 24 plates 2.6 x 2.6	104 VAC	119 VDC, 3.5 Amp
ART-8	11280-01, C16S4BA1H11G	3 PHASE 24 plates 1.6 x 1.6	104 VAC	119 VDC, 3.5 Amp
ART-10	C11S3BA1H11G	3 PHASE 18 plates 2.6 x 2.6	78 VAC	89 VDC, 2.6 Amp
ART-13	11283-01, C44S2BA1H11G	3 PHASE 12 plates 2.6 x 2.6	52 VAC	68 VDC, 10.0 Amp
MIS-204D	11274-01, VTH400, 11295-01, 11659-01, VTH600, VTH200	3 PHASE	600 VAC	480 VDC, 27.5 Amp
ART-21	11292-01, SS-0623-AP	3 PHASE, Silicon	800 VAC	560 VDC, 54 Amp
ART-9	11288-01, C16-9919	12 plates 1.6 x 1.6	312 VAC	130 VDC, 1.2 Amp
ART-15	11286-01, C11S3B1H11G	12 plates 1.3 x 1.3	78 VAC	63 VDC, 1.7 Amp
ART-20	11300-01, C6N10H1E11R	10 plates 1 x 1	399 VAC	250 VDC, .30 Amp
ART-12	11287-01, C44S3B1H11G	8 plates 2.6 x 2.6	78 VAC	63 VDC, 7.2 Amp
ART-19	11284-01, C44S2H1S1G	2 plates 2.6 x 2.6	52 VAC	32 VDC, 3.3 Amp
ART-16	11290-01, C6S2H1E1G	2 plates 1 x 1	52 VAC	22 VDC, 0.8 Amp
ART-17	11276-01	6 plates 1 x 1	160 VAC	100 VDC, .30Amp
ART-18	11277-01	6 plates 1.6 x 1.6	180 VAC	112 VDC, 1.1Amp

## Resistors

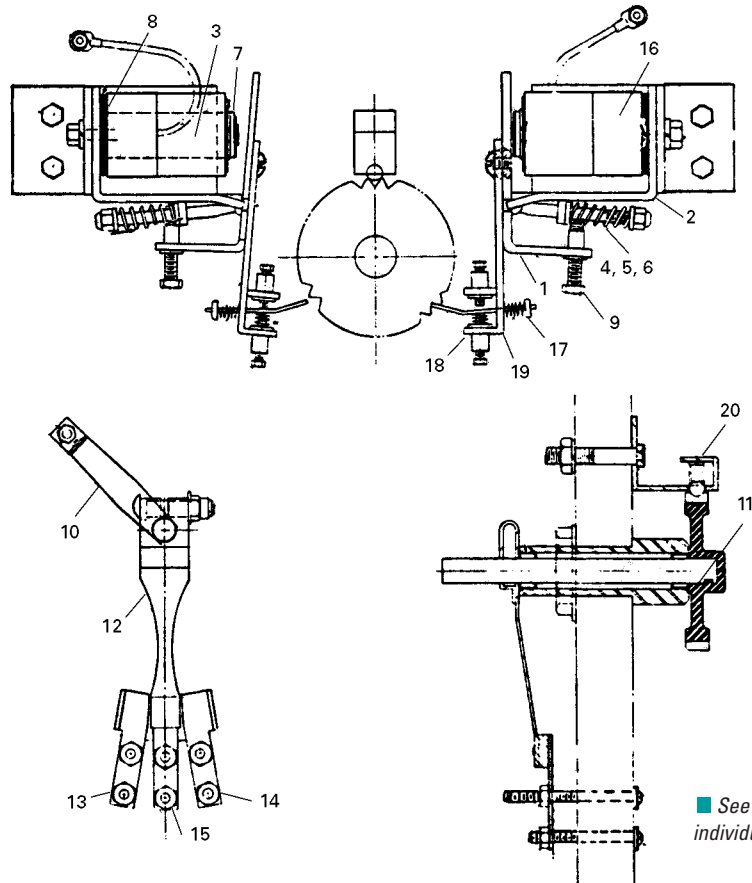
S.E.E.S. #	O.E.M. #	Description	S.E.E.S. #	O.E.M. #	Description
RES-50	11616-01	1 Ohm	RES-56	11629-01	100 Ohm
RES-51	11617-01	2 Ohm	RES-57	11631-01	150 Ohm
RES-51B	11619-01	4 Ohm	RES-59	11632-01	250 Ohm
RES-52	11620-01	5 Ohm	RES-59A	11633-01	300 Ohm
RES-53	11621-01	10 Ohm	RES-60	11634-01	500 Ohm
RES-53A	11623-01	15 Ohm	RES-61	11635-01	1K Ohm
RES-53B	11624-01	20 Ohm	RES-61A	11637-01	2K Ohm
RES-54	11625-01	25 Ohm	RES-62	11638-01	2.5K Ohm
RES-55	11626-01	50 Ohm	RES-63	11640-01	5K Ohm
RES-55A	11628-01	75 Ohm	RES-64	11641-01	10K Ohm



200 Watt Adjustable 10-1/2" long.

## Relay Parts

### No. 1 Stepping Relay

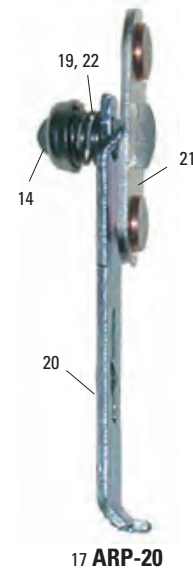
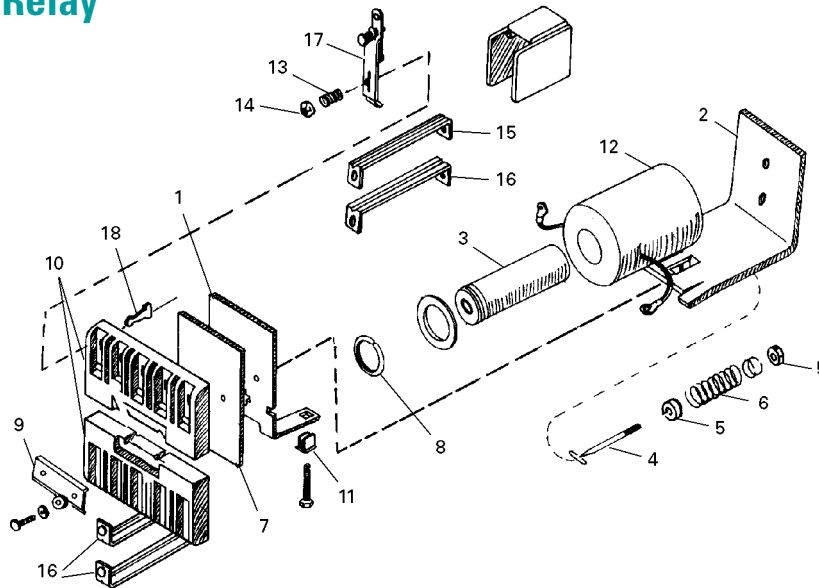


■ See page 521 for individual components.

Item	S.E.E.S. #	O.E.M. #	Description
1	ARP-40	10119-01, A006001	Armature
2	ARP-41	10656-01, B234001	Frame
3	ARP-42	10616-01, A165001	Magnet Core
4	ARP-17D	10355-01, A050001	T-Bolt, 10-24 x 2"
5	ARP-16A	10637-01, A171004	Cup Washer
6	ARP-14A	10748-01, A509033	Compression Spring
7	ARP-40B	10739-01, V468005	Retaining ring
8	ARP-40C	10827-01, V646001	Retaining washer
9	ARP-55	10338-01	Nylon bushing
10	AS-11	10357-01, A767001	Brush assembly
11	AS-1	10661-01, B252003	Gear with shaft
12	AS-5	10069-01, B008034	Movable contact brush assembly
13	AS-10	11171-01, A164029	Stationary contact R.H.
14	AS-9	11172-01, A164030	Stationary contact L.H.
15	AS-8	11173-01, A164031	Stationary contact, intermediate
16	AC-7	10477-01	Coil
17	ARP-16	10636-01, A171003	Cup Washer
18	AS-7	10712-01, A405002	Stepper pawl
19	AS-6	10137-01, B008026	Pawl assembly arm
20	AS-4	10662-01, B286028	Housing, with ball and spring

# Relay Parts

## No. 1 Relay

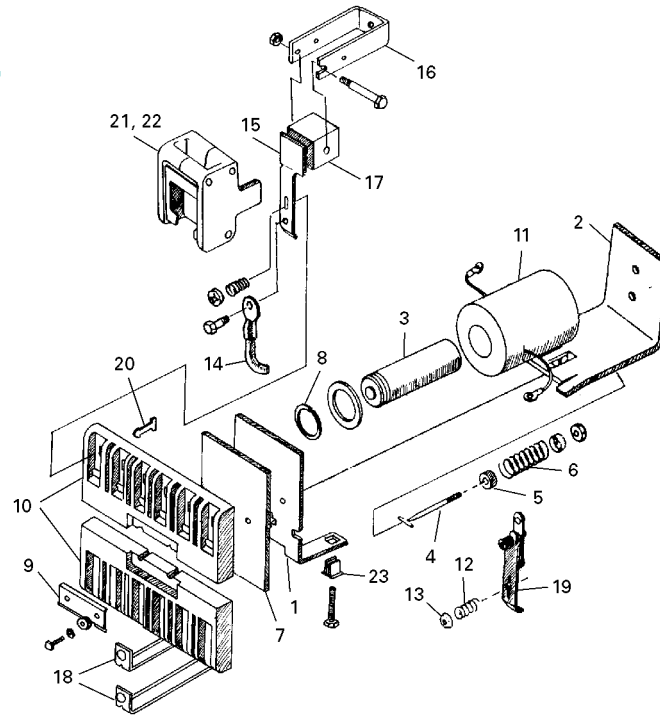


ARMOR

Item	S.E.E.S. #	O.E.M. #	Description
1	ARP-40	10119-01, A006001	Armature
2	ARP-41	10656-01, B234001	Frame
3	ARP-42	10616-01, A165001	Core, Magnet, standard
	ARP-59	10620-01, A165006, 516178	Core, Magnet, Timing with non-magnetic separator
4	ARP-17D	10355-01, A050001	Tee bolt, 10-24 x 2"
5	ARP-16A	10637-01, A171004	Cup washer
6	ARP-14A	10748-01, A509033	Compression spring
7	ARP-40A	10633-01, A304006	Armature insulator
8	ARP-40B	10739-01, V468005	Retaining ring
9	ARP-46	10429-01, A153002	Clamp for contact holder
10	ARP-43	10694-04, A283011, 304-006-1	Holder, (3) contact
	ARP-44	10694-03, A283012, 304-007-1	Holder, (4) contact
	ARP-45	10694-02, A283013, 304-008-1	Holder, (5) contact
11	ARP-55	10338-01	Bushing
12	AC-8	10478-01	Coil, 7 VDC (AR14; 0158-0011; B140-6006-01; LA-411)
	AC-19	10613-01	Coil, 26 VDC (AR100; B140-6006-02)
	AC-7	10477-01	Coil, 80 VDC (AR324; 0158-0010; B140-6006-03; LA-462)
	AC-4	10474-01	Coil, 270 VDC (AR4840; 0158-0006; B140-6006-04; LA-226)
	AC-3	10473-01	Coil, 270 VDC (AR7240; 0158-0005; B140-6006-05; LA-124)
	AC-11	10612-01	Coil, 110 VDC (AR1200; 0158-0040; B140-6006-06; LA-1409)
	AC-12	10501-01	Coil, 110 VDC (0158-0041; B140-6006-07)
	AC-5	10475-01	Coil, 60 VDC (AR450; 0158-0007; B140-6006-08; LA-219)
	AC-6	10476-01	Coil, 110 VDC (AR2000; 0158-0008; B140-6006-09; CA-100)
13	ARP-12	10747-01, A509032	Compression Spring for movable contact assembly
14	ARP-16	10636-01, A171003	Cup washer, 5/16" diameter, for movable contact assembly
15	ARP-24	11159-01, A164014, 756-007-1	Stationary contact, N.C. 2-1/4" L
16	ARP-25	11160-01, A164015, 756-008-1	Stationary contact, N.O. 2-13/32" L
17	ARP-20	10442-01, A150-8001-01	Movable contact assembly (includes items 18-22)
18	ARP-17B	10028-01, A-007-0001-01	Contact anchor, 13/16" for movable contact assembly
19	ARP-17	10029-01, A002-003, 801-102-1	Tee bridge, contact anchor
20	ARP-18	10753-01, A288-004, 801-105-1	Contact, finger
21	ARP-19	11182-01, A164-046, 801-101-1	Contact bridge
22	ARP-12A	10745-01, A509096	Spring for ARP-20 contact assembly

## Relay Parts

### No. 1 Contactor

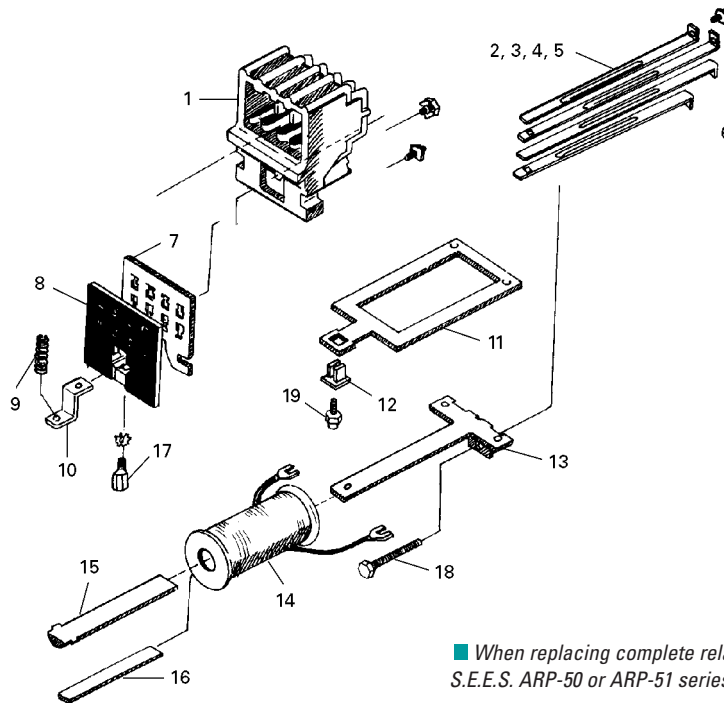


Item	S.E.E.S. #	O.E.M. #	Description
1	<b>ARP-40</b>	10119-01, A006001	<b>Armature</b>
2	<b>ARP-41</b>	10656-01, B234001	<b>Frame</b>
3	<b>ARP-42</b>	10616-01, A165001	<b>Core, Magnet (standard)</b>
4	<b>ARP-17D</b>	10355-01, A050001	<b>Tee bolt, 10-24 x 2"</b>
5	<b>ARP-16A</b>	10637-01, A171004	<b>Cup washer</b>
6	<b>ARP-14A</b>	10748-01, A509033	<b>Compression spring</b>
7	<b>ARP-40A</b>	10633-01, A304006	<b>Armature insulator</b>
8	<b>ARP-40B</b>	10739-01, V468005	<b>Retaining ring</b>
9	<b>ARP-46</b>	10429-01, A153002	<b>Clamp for contact holder</b>
10	<b>ARP-43</b>	10694-04, A283011, 304-006-1	<b>Holder, (3) contact</b>
	<b>ARP-45</b>	10694-02, A283013, 304-008-1	<b>Holder, (5) contact</b>
11	<b>AC-8</b>	10478-01	<b>Coil, 7 VDC (AR14; 0158-0011; B140-6006-01; LA-411)</b>
	<b>AC-19</b>	10613-01	<b>Coil, 26 VDC (AR100; B140-6006-02)</b>
	<b>AC-7</b>	10477-01	<b>Coil, 80 VDC (AR324; 0158-0010; B140-6006-03; LA-462)</b>
	<b>AC-4</b>	10474-01	<b>Coil, 270 VDC (AR4840; 0158-0006; B140-6006-04; LA-226)</b>
	<b>AC-3</b>	10473-01	<b>Coil, 270 VDC (AR7240; 0158-0005; B140-6006-05; LA-124)</b>
	<b>AC-11</b>	10612-01	<b>Coil, 110 VDC (AR1200; 0158-0040; B140-6006-06; LA-1409)</b>
	<b>AC-12</b>	10501-01	<b>Coil, 110 VDC (0158-0041; B140-6006-07)</b>
	<b>AC-5</b>	10475-01	<b>Coil, 60 VDC (AR450; 0158-0007; B140-6006-08; LA-219)</b>
	<b>AC-6</b>	10476-01	<b>Coil, 110 VDC (AR2000; 0158-0008; B140-6006-09; CA-100)</b>
12	<b>ARP-12</b>	10747-01, A509032	<b>Compression Spring</b>
13	<b>ARP-16</b>	10636-01, A171003	<b>Cup washer, 5/16" diameter</b>
14	<b>ARP-10A</b>	10743-01, A783-6361-01	<b>Shunt lead (A521013)</b>
15	<b>ARP-6B</b>	11164-01, A164021	<b>Movable copper contact, 2-7/16"</b>
16	<b>ARP-6D</b>	10697-01, A283010	<b>Stationary contact holder, 2-3/8"</b>
17	<b>ARP-6C</b>	11163-01, A164020	<b>Stationary contact, N.O., Carbon</b>
18	<b>ARP-25</b>	11160-01, A164015, 756-008-1	<b>Stationary contact, N.O., 2-13/32" L</b>
19	<b>ARP-20</b>	10442-01, A150-8001-01	<b>Movable contact assembly</b>
20	<b>ARP-17B</b>	10028-01, A-007-0001-01	<b>Contact anchor, 13/16"</b>
21	<b>ARP-32C</b>	10068-01	<b>D.C. Arc barrier, with magnets, 2"</b>
22	<b>ARP-32D</b>	10063-01, B725007	<b>A.C. Arc barrier, with baffles, 2"</b>
23	<b>ARP-55</b>	10338-01	<b>Bushing</b>



# Relay Parts

## No. 2 Relay

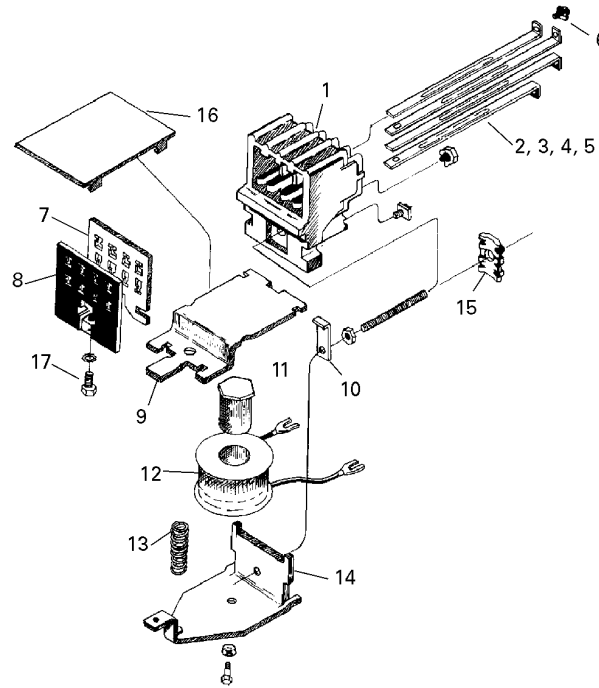


■ When replacing complete relay use Relay No. 2A, S.E.E.S. ARP-50 or ARP-51 series.

Item	S.E.E.S. #	O.E.M. #	Description
1	ARP-48	10192-01, B021005	Base
2	ARP-23A	11167-01, A164025	Movable short contact, 4-11/16" long
3	ARP-21	11165-01, A164023	Fixed short contact, 4-7/8" long
4	ARP-22	11166-01, A164024	Movable long contact, 5-1/16" long
5	ARP-23	11168-01, A164026	Fixed long contact, 5-1/4" long
6	ARP-48A	12063-01	Pan head screw, 6-32 x 5/16" cadmium plated with captive washer, N.O.
	ARP-48B	12064-01	Pan head screw, 6-32 x 5/16" brass plated with captive washer, N.C.
7	ARP-29-8&0	10744-09	Contact actuator, 8 N.O.
	ARP-29-0&8	10744-01	Contact actuator, 8 N.C.
	ARP-29-1&7	10744-02	Contact actuator, 1 N.O. - 7 N.C.
	ARP-29-2&6	10744-03	Contact actuator, 2 N.O. - 6 N.C.
	ARP-29-3&5	10744-04	Contact actuator, 3 N.O. - 5 N.C.
	ARP-29-4&4	10744-05	Contact actuator, 4 N.O. - 4 N.C.
	ARP-29-5&3	10744-06	Contact actuator, 5 N.O. - 3 N.C.
	ARP-29-6&2	10744-07	Contact actuator, 6 N.O. - 2 N.C.
	ARP-29-7&1	10744-08	Contact actuator, 7 N.O. - 1 N.C.
9	ARP-52	10750-01, A509047	Compression spring
10	ARP-53	10740-01, A454057	Spring retainer
11	ARP-54	10124-01, A006006	Armature
12	ARP-55	10338-01	Bushing
13	ARP-56	12078-01, A165003	Core
14	AC-10	10480-01	Coil, 140 VDC
	AC-14	12076-01	Coil, 110 VDC
	AC-15	12076-02	Coil, 55 VDC
15	ARP-57	10189-01, A018048	Core filler bar, 1/2 round
16	ARP-58	12074-01	Core filler spring, flat
17	ARP-55B		Threaded stud
18	ARP-56A		Screw, threaded hex head, 1-1/2" L
19	ARP-55A		Spring Seat

## Relay Parts

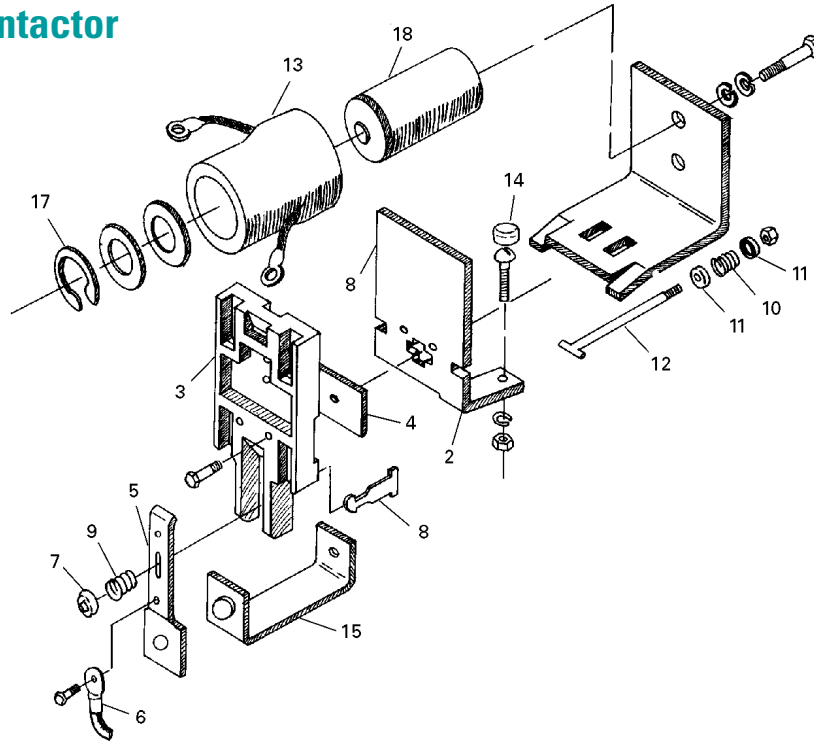
### No. 2A Relay



Item	S.E.E.S. #	O.E.M. #	Description
1	ARP-48	10192-01, B021005	Base
2	ARP-23A	11167-01, A164025	Movable short contact, 4-11/16" long
3	ARP-21	11165-01, A164023	Fixed short contact, 4-7/8" long
4	ARP-22	11166-01, A164024	Movable long contact, 5-1/16" long
5	ARP-23	11168-01, A164026	Fixed long contact, 5-1/4" long
6	ARP-48A	12063-01	Screw, 6-32 x 5/16", pan head, cadmium plated with captive washer
	ARP-48B	12064-01	Screw, 6-32 x 5/16", pan head, brass plated with captive washer
7	ARP-29-8&0	10744-09	Contact actuator, 8 N.O.
	ARP-29-0&8	10744-01	Contact actuator, 8 N.C.
	ARP-29-7&1	10744-08	Contact actuator, 7 N.O. - 1 N.C.
	ARP-29-6&2	10744-07	Contact actuator, 6 N.O. - 2 N.C.
	ARP-29-5&3	10744-06	Contact actuator, 5 N.O. - 3 N.C.
	ARP-29-4&4	10744-05	Contact actuator, 4 N.O. - 4 N.C.
	ARP-29-3&5	10744-04	Contact actuator, 3 N.O. - 3 N.C.
	ARP-29-2&6	10744-03	Contact actuator, 2 N.O. - 6 N.C.
	ARP-29-1&7	10744-02	Contact actuator, 1 N.O. - 7 N.C.
8	ARP-49	10693-02	Contact holder
9	ARP-48C	10125-01	Armature
10	ARP-48D	12068-01	Clip
11	ARP-48I	12079-01	Core, coil
12	AC-17	12077-01	Coil, 110 VDC
	AC-18	12077-02, A-140-6021-02	Coil, 55 VDC (red lead)
13	ARP-48E	10750-02	Compression spring
14	ARP-48F	10658-01, B-419-0006-01	Frame
15	ARP-48G	10353-01	Mounting clip
16	ARP-48H	12072-01	Armature insulator
17	ARP-55A		Spring Seat
	ARP-50-44		Relay #2A 110V 4 N.O. 4 N.C. Contact
	ARP-51-44	11142-44	Relay #2A 55V 4 N.O. 4 N.C. Contact

# Relay Parts

## No. 3 Contactor

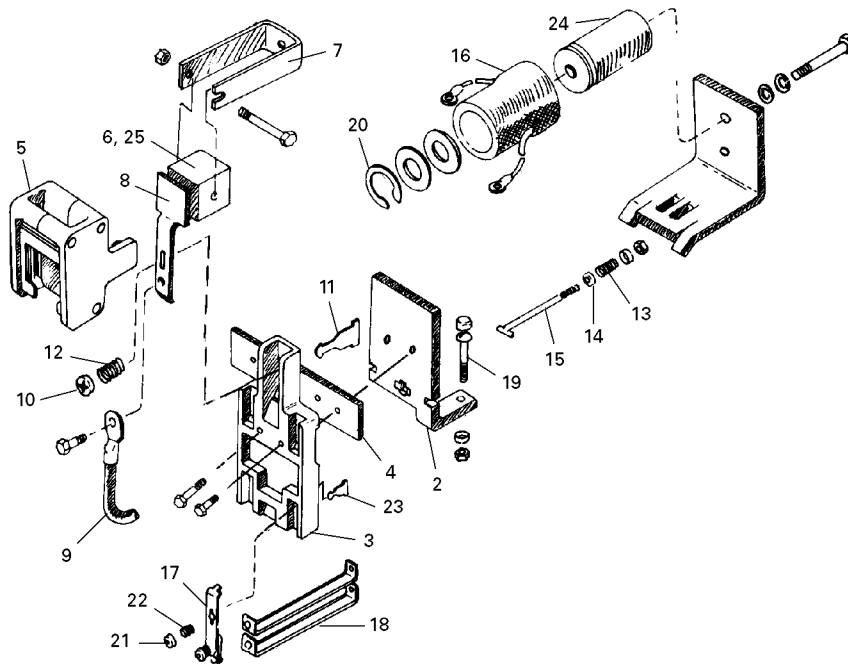


ARMOR

Item	S.E.E.S. #	O.E.M. #	Description
2	ARP-35A	10121-01, A006003	Armature
3	ARP-47	10441-01, B283004	Contact holder, movable
4	ARP-34D	10003-01, A001006	Adapter, plate
5	ARP-6A	10464-01, A32067	Silver contact, movable
6	ARP-10	10994-01, A521006	Shunt Lead (349-001)
7	ARP-15	10634-01, A171001	Cup washer
8	ARP-17A	10030-01, A002004	Contact anchor, Tee bridge
9	ARP-14	10746-01, A509023	Contact spring
10	ARP-13A	11994-01, A509022	Armature spring
11	ARP-15A	10635-01, A171002	Cup washer
12	ARP-17C	10356-01, A050003	Tee bolt
13	AC-1	10470-01	Coil, 270 VDC (MC1000; A0158-0002; B140-6011-01)
	AC-16	10472-01	Coil, 240 VDC (MC2500; A0158-0004; B140-6011-02)
	AC-2	10471-01	Coil, 80 VDC (MC218; A0158-0003; B140-6011-03)
	AC-20	13036-01	Coil, 110 VDC (A140-0585-01; B140-6011-04)
14	ARP-17E	12001-01	Rubber bumper
15	ARP-11	11156-01	Copper contact, Stationary
	ARP-11A	10465-01, A32066	Silver contact, Stationary
17	ARP-36B	10738-01, V468002	Retaining ring
18	ARP-36	10621-01, A165002	Core assembly

## Relay Parts

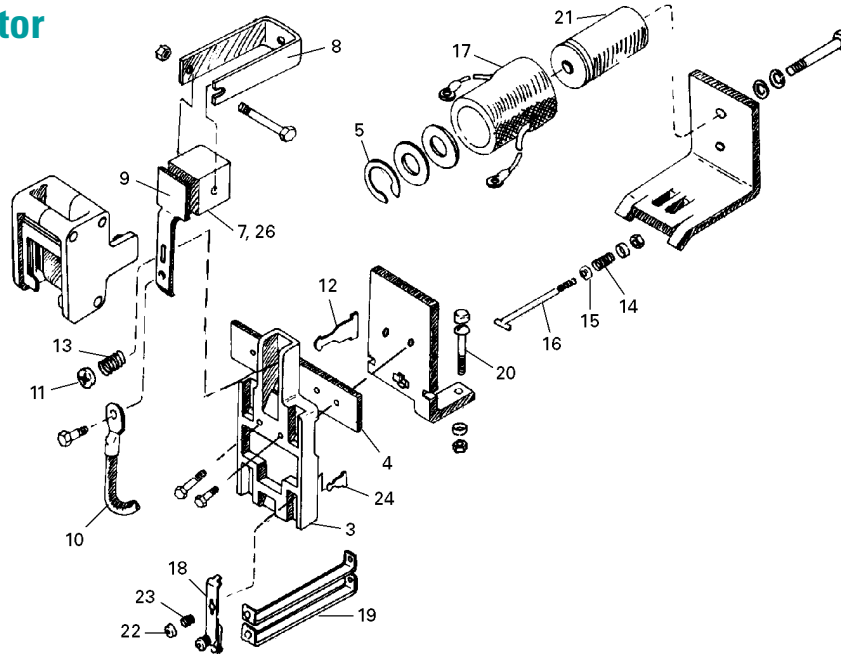
### No. 3A Contactor



Item	S.E.E.S. #	O.E.M. #	Description
2	ARP-34A	10120-01, A006002	Armature, for 1, 2, & 3 pole
3	ARP-47	10441-01, A283004	Holder, for one movable contact
4	ARP-34B	10001-01, A001004	Adapter, 2 pole
	ARP-34C	10002-01, A001005	Adapter, 3 pole
	ARP-34D	10003-01, A001006	Adapter, 1 pole
5	ARP-32E	10064-01, B725004	Arc barrier assembly, A.C. 3"
6	ARP-4	11153-01, A164008	Contact, carbon stationary
7	ARP-3	10698-01	Holder, stationary contact
8	ARP-6	11151-01, A164006	Contact, main movable, 3-9/16" long
9	ARP-9	10742-01, A521004, 349-003-5	Shunt, movable contact, 11" long
10	ARP-15	10634-01, A171001	Cup washer
11	ARP-17A	10030-01, A002004	Contact anchor
12	ARP-14	10746-01, A509023	Contact spring
13	ARP-13A	11994-01, A509022	Armature spring
14	ARP-15A	10635-01, A171002	Cup washer
15	ARP-17C	10356-01, A050003	Tee bolt
16	AC-1	10470-01, A0158-0002	Coil, 270 VDC, (MC1000, B140-6011-01)
	AC-16	10472-01, A0158-0004	Coil, 240 VDC, (MC2500, B140-6911-02)
	AC-2	10471-01, A0158-0003	Coil, 80 VDC, (MC218, B140-6011-03)
	AC-20	13036-01, A140-0585-01	Coil, 110 VDC, (B140-6011-04)
17	ARP-20	10442-01, B756006	Contact assembly
18	ARP-26	11161-01, A164016	Contact, Stationary auxiliary, 3-17/32"
19	ARP-17E	12001-01, A045004	Rubber bumper
20	ARP-36B	10738-01, V468002	Retaining Ring
21	ARP-16	10636-01, A171003	Cup washer
22	ARP-12	10747-01, A509032	Contact spring
23	ARP-17B	10028-01, A002002	Contact anchor
24	ARP-36	10621-01, A768002	Core assembly
25	ARP-4A	11188-01, A164063	Contact, Stationary metallized carbon

## Relay Parts

### No. 5A Contactor



Item	S.E.E.S. #	O.E.M. #	Description
3	ARP-33	10695-01, A283006	Contact holder, for one movable contact
4	ARP-37A	10004-01, A001007	Adapter, 2 pole
	ARP-37	10005-01, A001008	Adapter, 3 pole
	ARP-37B	10006-01, A001009	Adapter, 1 pole
5	ARP-36B	10738-01, V468002	Retaining ring
7	ARP-2	11155-01, A164010, 10152-02, A164032	Contact, main stationary, standard duty, carbon Contact, main stationary, heavy duty, silver (tungsten)
8	ARP-1	10696-01, A283007	Stationary contact holder
9	ARP-5	11154-01, A164009, US504663	Contact, main movable standard duty, copper, 4-5/32" L
10	ARP-8	12148-01, A521005, 349-003-5	Shunt, movable contact, 13-1/4" L
11	ARP-15	10634-01, A171001	Cup washer
12	ARP-17A	10030-01, A002004	Contact anchor
13	ARP-13	10749-01, A509035	Contact spring
14	ARP-13A	11994-01, A509022	Armature spring
15	ARP-15A	10635-01, A171002	Cup washer
16	ARP-17C	10356-01, A050003	Tee bolt
17	AC-1	10470-01, A0158-0002	Coil, 270 VDC, (MC1000, B140-6011-01)
	AC-16	10472-01, A0158-0004	Coil, 240 VDC, (MC2500, B140-6911-02)
	AC-2	10471-01, A0158-0003	Coil, 80 VDC, (MC218, B140-6011-03)
	AC-20	13036-01, A140-0585-01	Coil, 110 VDC, (B140-6011-04)
18	ARP-20	10442-01, B756006	Contact, Auxiliary contact assembly
19	ARP-26	11161-01, A164016	Contact, Stationary auxiliary contact, 3-17/32" L
20	ARP-17E	12001-01, A045004	Rubber bumper
21	ARP-36	10621-01, A768002	Core
22	ARP-16	10636-01, A171003	Cup washer
23	ARP-12	10747-01, A509032	Auxiliary contact spring
24	ARP-17B	10028-01, A002002	Auxiliary contact anchor
26	ARP-2A	11187-01, A164062	Stationary contact, metallized carbon contact

## Relays



PR-55



PR-53A



PR-7



PR-52

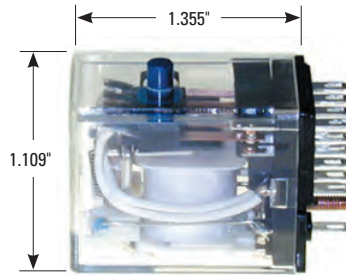


PR-36B

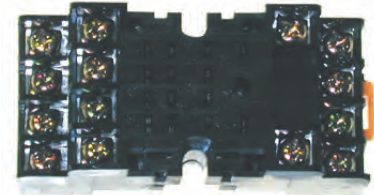
(Relay not included)



ACPM-001



PR-64B



PR-89

S.E.E.S. #	O.E.M. #	Description
PR-55	11353-01	120 VAC 4 PDT
PR-56	11354-01	240 VAC 4 PDT
PR-54	11355-01	110 VDC 4 PDT
PR-64B	13602-01, 13633-01	48 VDC 4 PDT with Button & Light
PR-25A	13603-01, 13632-01	110 VDC 4 PDT with Button & Light
PR-89		Socket, Surface Mount

■ See also: PR-86, PR-87, PR-88 Sockets

## P&B KUP Style

S.E.E.S. #	O.E.M. #	Description
PR-53A	11386-01	6 VAC 3 DPT
PR-15	11383-01	120 VAC 3 PDT with Button & Light
PR-18	11387-01	240 VAC 3 PDT with Button & Light
PR-71	13046-01	24 VDC 3 PDT
PR-22	11385-01	48 VDC 3 PDT with Button & Light
PR-21	11384-01	110 VDC 3 PDT with Button & Light
PR-32		Socket, surface mount

■ See also: PR-92, PR-93, PR-94 Sockets

S.E.E.S. #	O.E.M. #	Description
PR-7	11359-01	120 VAC DPDT
PR-3	11360-01	110 VDC DPDT
PR-6	11361-01	24 VAC DPDT
PR-9	11362-01	240 VAC DPDT

S.E.E.S. #	O.E.M. #	Description
PR-52	11340-01	<b>Relay</b> , 110 VDC, 3 PDT, replaces Guardian IR1225-3C-110D
PR-52A	13279-01	<b>Relay</b> , 110 VDC, DPDT, replaces Guardian IR1225-2C-100D
PR-52-KIT	11340-01 Alt	<b>Guardian Kit Replacement</b> , 3 PDT 110 VDC
PR-36A	12580-01	<b>Socket</b> , Panel Mount for 3P relays PR-52, PR-52A
PR-36B		<b>Socket adaptor</b> . This adaptor enables the use of KUP style 3 pole relays to replace the Guardian style. Plugs directly into the original Guardian relay socket. (Relay not included)

■ See complete listing of relays located in the Electrical Section starting on pg 283.

## Phase Monitor

S.E.E.S. #	Description
ACPM-001	Phase Monitor, 250 VAC 15A, 3PH external

S.E.E.S. #	O.E.M. #	Description
ARP-31	11401-01	<b>Overload Relay, 100 Amp</b>
ARP-60	11356-01	<b>Reverse Phase Relay, 208/220 VAC, New style replacement</b>
ARP-60A	11357-01	<b>Reverse Phase Relay, 80/85 VAC, New style replacement</b>
ARP-61	12265-01	<b>Contact, movable for 6572/2 Stahl</b>
ARP-62		<b>Contact, 40 AMP, 110 VDC Coil, 2 N.C., 4 N.O., 6571/1&amp;2 Stahl</b>
ARP-63		<b>Contact, 80 AMP, 110 VDC Coil, 2 N.C., 4 N.O., 6573/1&amp;3 Stahl</b>
AC-28	10604-01	<b>Coil for Stahl Contactors 6573/2 &amp; 6574/2, 110 VDC</b>
AC-29	10574-01, B733-9000-03	<b>Replacement Coil, 208/220V for original reverse phase relay</b>
AC-30	10576-01	<b>Replacement Coil, 80/85V for original reverse phase relay</b>



## Switches

### Magnetic Leveling Switches

S.E.E.S. #	O.E.M. #	Description
ARP-27	11845-01, B723006, B7230020	<b>Magnetic leveling switch, variable voltage, yellow and black leads, N.C. contacts, PM #3</b>
ARP-27A	13239-01, B723016	<b>Magnetic leveling switch, variable voltage, red and black leads N.O., PM #3</b>
ARP-27BA		<b>Armor #1, 110V OPTO leveling rep kit</b>
ARP-27DA		<b>Armor leveling rep kit, N.C.</b>
ARP-27-6A	10968-01	<b>Nut, mounting for magnetic and photo switches</b>
ARP-27-6B	10981-01	<b>Stud, brass, mounting for magnetic and photo switches</b>



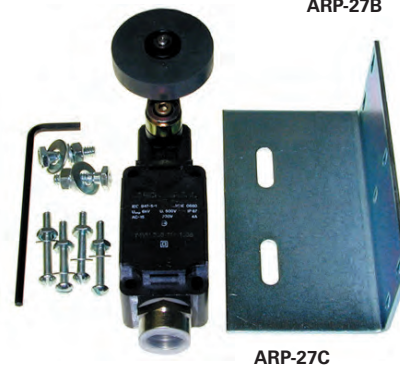
### Photo Switches

S.E.E.S. #	O.E.M. #	Description
ARP-27B	13626-01, 13817-8375	<b>Photo switch #1, 110 VDC N.C.</b>
ARP-27D	13626-03	<b>Photo switch #3, 24 VDC N.C.</b>
ARP-27G	13626-04	<b>Photo switch #4, 24 VDC N.O., 4 wire</b>



### Limit Switches

S.E.E.S. #	O.E.M. #	Description
ARP-27C	11858-01, 11859-01, B723002, B723001	<b>Limit switch replacement kit</b> Kit includes all parts required to replace both #3 Limit switches. This part is a replacement kit for old style, N.O. & N.C.
ARP-27C-HDW		<b>Hardware Kit, for ARP-27C Bracket &amp; hardware</b>
ARP-27F		<b>Limit Switch N.O./N.C., only, (included in above kit)</b>



## Machine Seals and Bearings



PAC-46



ABR-1



PAC-46A

S.E.E.S. #	O.E.M. #	Description
PAC-46	12331-01	Oil seal, split, for #2 and #2BB machines, 1-3/4" x 2-3/4" x 1/2"
PAC-46A	12080-02	Oil seal, split, for #3 machine, 1-15/16" x 2-7/8" x 1/2"
PAC-46B	12081-01	Oil seal, split, for #4 and #4BB machines, 2" x 3" x 1/2"
PAC-46C	12332-01	Oil seal, split, for #5 and #5BB machines, 3" x 4" x 3/8"
PAC-46D	12611-01	Oil seal, split, for #7 machine, 4" x 5" x 7/16"

S.E.E.S. #	O.E.M. #	Description
ABR-1	12911-01	Bearing for #2 Machine worm shaft thrust
ABR-2	12912-01	Bearing for #3 Machine worm shaft thrust
ABR-3	12913-01	Bearing for #4 Machine worm shaft thrust
ABR-4	12914-01	Bearing for #5 Machine worm shaft thrust

## Brake Components



AM-1



AM-2



AM-3



AM-4

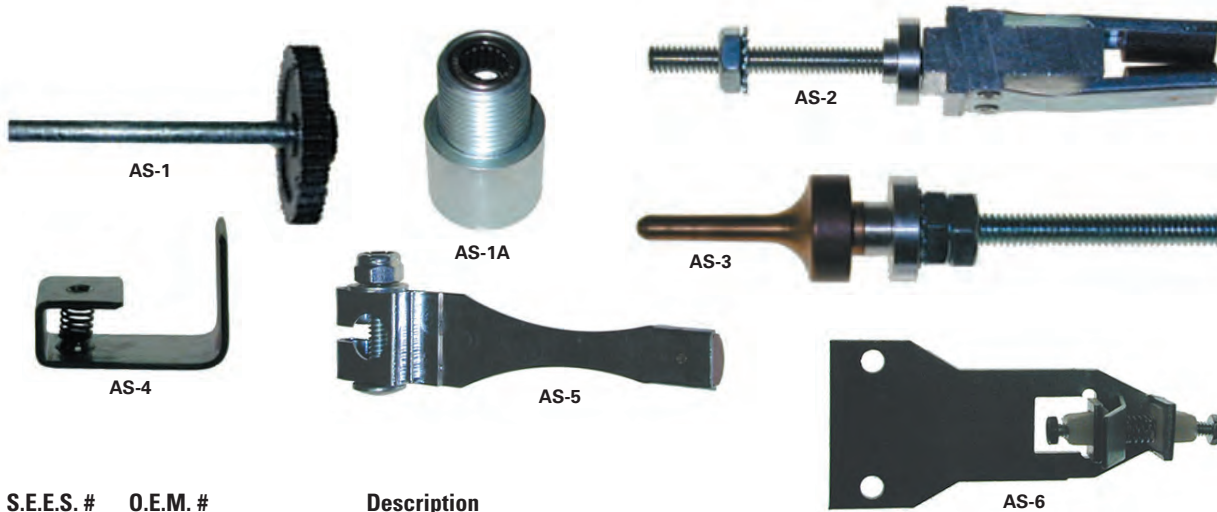


AM-5

S.E.E.S. #	O.E.M. #	Description
AM-1	13495-01, 513803	Brass brake sleeve assembly for #4 Machine
AM-2	13614-01, 516519	Brake plunger and rod assembly for #4 Machine
AM-3	US513154	Brake Sheave, Brass #2 and #3
AM-4	US516195	Belt, for Tach
AM-5	US515816	Brake plunger & rod assembly, for #2 & #3 Machine
AM-6		Pin, Brake, Brass Rod, 5/8" O.D. x 6.75" L



## Selector Parts



S.E.E.S. #	O.E.M. #	Description
AS-1	10661-01, B252003	<b>Gear and shaft</b> for O.E.M.#1 Stepping Relay
AS-1A	10337-01	<b>Bushing assembly</b> for stepper
AS-4	10662-01, B286028	<b>Housing</b> with ball and spring
AS-5	10069-01, B008034	<b>Arm and contact brush assembly</b> for #1 Stepping Relay
AS-2	10358-01, A363G1, A4747492	<b>Selector brush</b> with metal contacts 1-11/16", for graphite KM White style selector
AS-3	10982-01, A2949	<b>Stud</b> , stationary contact, 1/8" diameter point x 2" overall, for KM White style selector
AS-6	10137-01, B008026	<b>Stepping arm pawl assembly</b>
AS-7	10712-01, A405002	<b>Pawl</b> , stepper
AS-8	11173-01, A164031	<b>Contact</b> , brass stationary, intermediate
AS-9	11172-01, A164030	<b>Contact</b> , brass stationary, L.H.
AS-10	11171-01, A164029	<b>Contact</b> , brass stationary, R.H.
AS-11	10357-01, A767001	<b>Brush assembly</b> for #1 Stepping Relay
AS-12	10978-01/02	<b>Selector tape</b> , perforated spring 7900-200 steel for Armor & KM White selectors, cut to required length
AS-13	13427-01, A111-0586-01	<b>Cam</b> , Advancer Selector



## Transformers

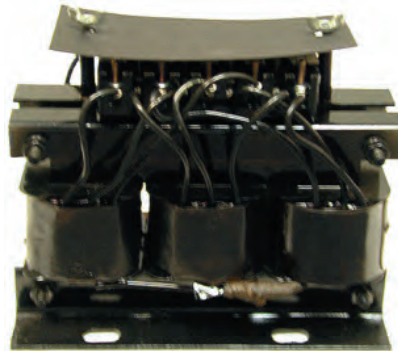
### Single-Phase Transformers



S.E.E.S. #	O.E.M. #	Description					
ATF-2	11758-01, B10825	75 VA	Primary	85 Volts	Secondary	35-40-45 Volts	
ATF-3	11810-01, V0611011	75 VA	Primary	208-230 Volts	Secondary	35-40-45 Volts	
ATF-4	11764-01, B4685	100 VA	Primary	240-220-200-180 Volts	Secondary	25 Volts	
ATF-5	11769-01, B4685	100 VA	Primary	240-220-200-180 Volts	Secondary	12-14-16 Volts	
ATF-6	13530-01, B905-0593-01	100 VA	Primary	480-240 Volts	Secondary	120 Volts	
ATF-7	13532-01, B905-0584-01	100 VA	Primary	85 Volts	Secondary	10-12-14 Volts	
ATF-8	13533-01, B905-0584-02	100 VA	Primary	85 Volts	Secondary	25 Volts	
ATF-9	11811-01, V06110003	150 VA	Primary	208 Volts	Secondary	55-65-75 Volts	
ATF-10	11765-01, B3136	250 VA	Primary	240-220-200-180 Volts	Secondary	25 Volts	
ATF-11	11774-01, B851	250 VA	Primary	240-220-200-180 Volts	Secondary	60 Volts	
ATF-12	11802-01, B36210, B905-0023-01	250 VA	Primary	240-220-200-180 Volts	Secondary	150-115 Volts	
ATF-13	11812-01, B905-0024-60	250 VA	Primary	85 Volts	Secondary	35-45 Volts	
ATF-14	13531-01, B905-0585-01	250 VA	Primary	85 Volts	Secondary	25 Volts	
ATF-15	11766-01, B3137	500 VA	Primary	240-220-200-180 Volts	Secondary	25 Volts	
ATF-16	11770-01, B5798	500 VA	Primary	480-460-440-420 Volts	Secondary	230 Volts	
ATF-17	11800-01, B36200	645 VA	Primary	240-220-200-180 Volts	Secondary	115-230 Volts	
ATF-19	11803-01, B36371	750 VA	Primary	240-220-200-180 Volts	Secondary	220 Volts	
ATF-20	11771-01, B6259	1 KVA	Primary	240-220-200-180 Volts	Secondary	25 Volts	
ATF-21	11777-01, B8634	1 KVA	Primary	480-460-440-420 Volts	Secondary	230 Volts	
ATF-22	11782-01, B10826	1.5 KVA	Primary	240-220-200-180 Volts	Secondary	25 Volts	
ATF-23	11801-01, B36201	1.5 KVA	Primary	480-460-440-420 Volts	Secondary	115-230 Volts	
ATF-24	11804-01, B36374	1.5 KVA	Primary	240-220-200-180 Volts	Secondary	220 Volts	
ATF-25	11805-01, B36375	1.5 KVA	Primary	480-460-440-420 Volts	Secondary	220 Volts	

## Transformers

### Three-Phase Transformers



ATF-26

S.E.E.S. #	O.E.M. #	Description
ATF-26	11790-01, B905-0587-01	500 VA Primary 200-208-215-220 Volts Secondary 85 Volts
ATF-29	13536-01, B905-0588-01	1 KVA Primary 200-208-215-220 Volts Secondary 85 Volts
ATF-32	13539-01	1 KVA Primary 200-208-215-220 Volts Secondary 210 Volts
ATF-33	13540-01, B905-0588-07	1 KVA Primary 230-240-248-255 Volts Secondary 210Volts
ATF-34	13541-01, B905-0588-08	1 KVA Primary 465-480-495-510 Volts Secondary 210 Volts
ATF-36	13543-01, B905-0589-07	3 KVA Primary 230-240-248-255 Volts Secondary 210 Volts
ATF-37	13544-01, B905-0589-08	3 KVA Primary 465-480-495-510 Volts Secondary 210 Volts
ATF-39	13546-01, B905-0590-07	5 KVA Primary 230-240-248-255 Volts Secondary 210 Volts
ATF-40	13547-01, B905-0590-08	5 KVA Primary 465-480-495-510 Volts Secondary 210 Volts

■ S.E.E.S. maintains an extensive inventory of transformers to meet your needs Same day shipping available to serve any emergency. We welcome your inquiries and any suggested additions to our stock.

## Door Equipment

### Rollers & Roller Assemblies

S.E.E.S. #	O.E.M. #	Description
ADO-7	11921-01, A466022	Roller assembly, 1-1/4" O.D. with 2-3/4" shaft for lever
ADO-7A	11921-02, A466022	Roller assembly, 1-1/4" O.D. with 4" shaft for lever
ADO-7B	11912-01, B466005	Roller, 1-1/4" O.D.
ADO-7C	12161-01, A466026	Roller assembly, 1-1/4" O.D. with 1-7/8" threaded shaft for gate switch
ADO-7D	12161-02, A466026	Roller assembly, 1-1/4" O.D. with 3-1/32" threaded shaft for gate switch
ADO-7E	12005-01	E-Clip for 3/8" shaft diameter
ADO-12	11971-01, A776005	Eccentric upthrust roller, steel roller, 1-1/6" O.D. for #4. Hatch door hanger assembly
ADO-12A	11972-01, A776010	Eccentric upthrust roller, steel roller, 1-1/2" O.D.
ADO-12B	13240-01	Eccentric upthrust roller, 15/16" diameter, steel
ADO-12C	12576-01	Eccentric upthrust roller, 1-3/4" diameter, steel (concave)



## Wheels and Roller Assemblies



### Hanger Assemblies

S.E.E.S. #	O.E.M. #	Description
AW-1	12103-01, B733004	<b>Hanger assembly</b> with 3-1/4" steel roller
AW-2	11930-01, B025014	<b>Roller</b> , Steel, 3-1/4" diameter
AW-3	12103-01, B733004	<b>Hanger assembly</b> with 3-1/4" polyurethane roller
AW-4	B491115	<b>Roller</b> , Polyurethane 3-1/4" diameter
AW-13	12419-01, C748003	<b>Sheave assembly</b> for #7 car door hanger
AW-8	11943-01, V654002	<b>Wiper</b> for #4, #7 Door hanger sheave assembly
AW-11B	12094-01, A050035	<b>Bolt</b> , 3-5/16", for car door hanger
AW-11C	13312-01, A050035	<b>Bolt</b> , 6-5/16", for car door hanger
ADO-12A	11972-01, A776010	<b>Roller</b> , steel eccentric upthrust roller, 1-1/2" diameter

### Hanger Wheels

S.E.E.S. #	O.E.M. #	Description
AW-11	11929-01, A491101	<b>Sheave</b> , 3-3/8" O.D., .6693 I.D., #7 Car door hanger <span style="color: #008080;">■</span> For concave track
AW-11A	11929-03	<b>Sheave</b> , 3-3/8" O.D., .6693 I.D., #7 Car door hanger. Machined aluminum with polyurethane tire. <span style="color: #008080;">■</span> For flat track
AW-9	11939-01, B653002	<b>Roller Guide Wheel</b> , 7" O.D. with threaded eccentric shaft. Threaded shaft 5/8-11" jam nut, 3-1/2" overall length. Tire face 1/2" wide, hub width 1-1/8"
AW-9A	11940-01, B653003	<b>Roller Guide Wheel</b> , 7" O.D., double bearing, .6693 I.D. Tire face is 1/2" wide, hub width is 1-1/8" wide. Similar to AW-9 but without eccentric.
AW-9B		<b>Bushing</b> for AW-9A and AW-10 (2 needed per assembly)
AW-9AH	11940-01, ARW422	<b>Roller Guide Wheel</b> , 7" O.D. x .67" I.D. w/o Eccentric, HD 90 Duro
AW-9H	11939-01, ARW423	<b>Roller Guide Wheel</b> , 7" O.D. x .67" I.D. w/ Eccentric, HD 90 Duro
AW-10	11942-01, B653010	<b>Counterweight Roller Guide Wheel</b> , 3-1/2" O.D., tire face 1/2" wide, hub 1.05" W double bearing, .6693 I.D.
AW-10A	11941-01, B653009	<b>Counterweight Roller Guide Wheel</b> , 3-1/2" O.D., double bearing with eccentric shaft, 1/2-13 hex nut, 1" long
AW-14	168962G01, 515606	<b>Roller Guide Wheel</b> , 7-7/8" O.D., Tire face .375" wide, Hub 1-1/2" wide, Double bearing with shaft, 2-3/4" overall length